

hotspring® micro 1.0 x 1.6

innovations by



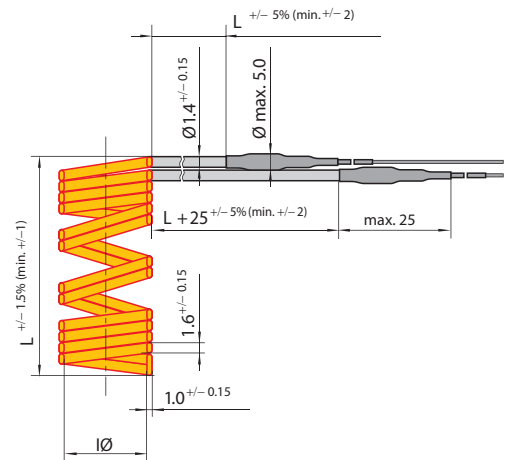
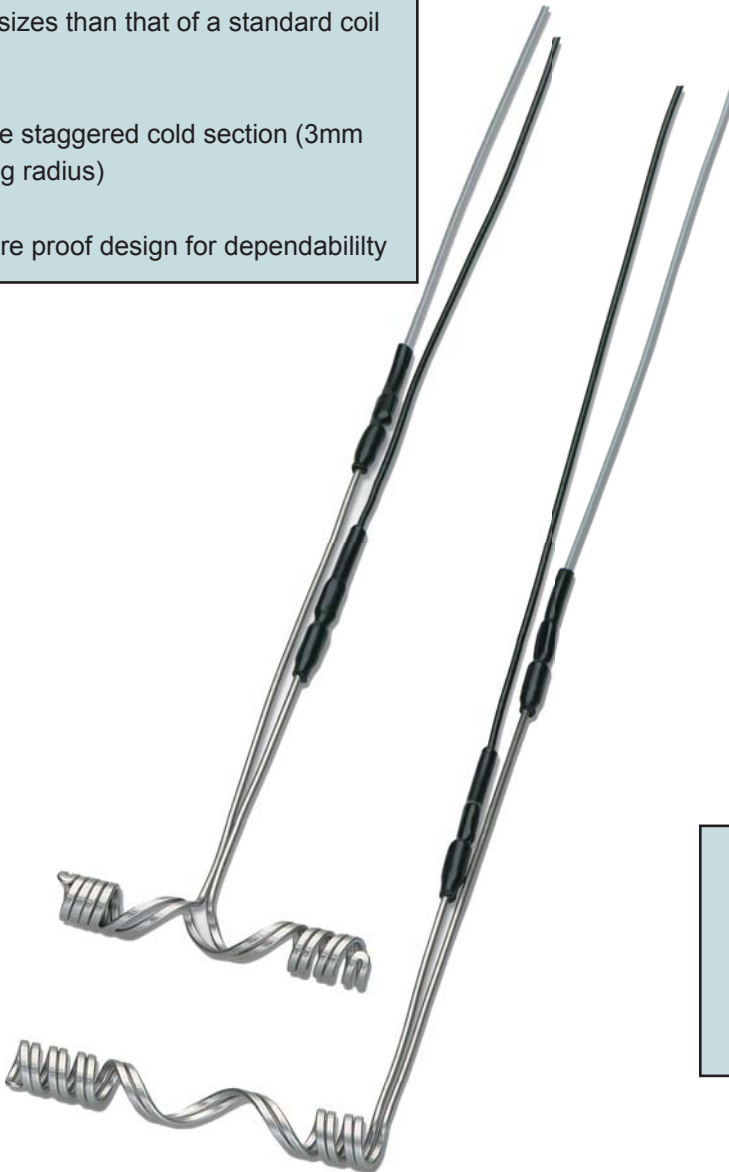
Small, durable, high performance coil heater

Introducing the hotspring® micro 1.0 x 1.6 coil heater. The hotspring® micro 1.0 x 1.6 offers huge performance at a micro level.

Hotset ® Advantage

- Smallest center distance for closer drops and greater efficiency
- Allows water line to be closer to the gate also giving faster cycle times
- Able to accommodate smallest OD nozzle sizes than that of a standard coil heater
- Flexible staggered cold section (3mm bending radius)
- Moisture proof design for dependability

also as hotspring Micro
ø1.4mm



hotspring® micro 1.0 x 1.6 - Just 1mm thick!

hotspring® micro 1.0 x 1.6 Technical Information

heater sheath	Ni or Cr-Ni
high voltage stability	800 VAC
sheath temperature	Max 1382 deg F
Insulation resistance	$\geq 5M$ ohm at 500 VDC (Cold)
Leakage current	≤ 0.5 mA at 250VAC (Cold)
Minimum ID	6.0mm
Wattage tolerance	$\pm 10\%$ (or lower on request)
Voltage	Maximum 250
Standard connection	48" Teflon rated 500 deg.F