

hotcontrol Inline Sensor

Sensor for measuring the temperature in flowing media

Facts

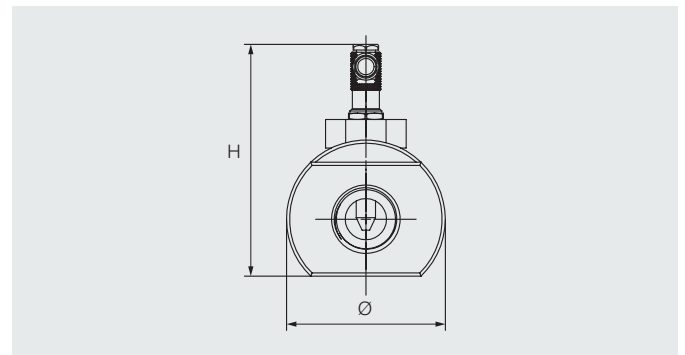
- For temperature measurement in liquid media, e.g. water or oil
- Simple and fast mounting
- Electrical connection simple and fast due to push-pull angle connector
- No shearing of the lead during mounting thanks to plug-in function
- Highly accurate and fast (variotherm applications)
- Robust stainless steel fitting
- Solid wrench flats for sealing the connection joints
- Can be calibrated on request



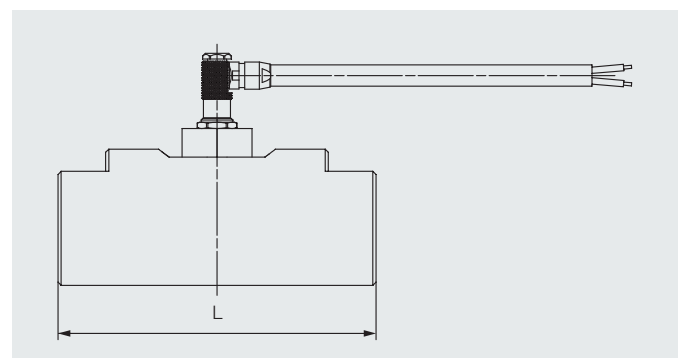
Technical key features

| | |
|---------------------|---|
| Temperature range | 0 ... 200 °C / 32 ... 390 °F |
| Sensor types | K, J, Pt 100, Pt 1000 |
| Max. pressure range | 25 bar |
| Fitting | Stainless steel |
| Lead types | Silicone/Silicone 180 °C / 355 °F PFA/PFA 260 °C / 500 °F PFA/PFA/MB* 260 °C / 500 °F |
| Lead length | 3 m |

* PFA with metal braided protection sleeve



View A



View B

Type specifications

| Internal thread | Diameter Ø [mm] | Length L [mm] | Height H [mm] |
|-----------------|-----------------|---------------|---------------|
| G ½" | 50 | 100 | 73.2 |
| G 1" | 70 | 100 | 85.0 |
| G ½" | 80 | 100 | 94.5 |